

Freestanding Gas Bain-marie

The Elco 700HP range is comprised of over 100 models designed to guarantee the highest level of performance, reliability, energy saving, safety standards and ergonomic operation. These concepts are reflected in the total modularity of the range that ensures numerous configurations, either free-standing or bridged. Elco 700HP demonstrates how advanced technology can satisfy the needs of the professional caterer. The models detailed on this sheet are Freestanding Gas Bain-marie.



178756

EASY TO INSTALL

- All top models are provided with a service duct to facilitate installation and can be mounted on open base cupboards or bridging supports.
- Main connections can be accessed via the rear or base of the unit.

EASY TO CLEAN

- One piece pressed worktop in 1,5mm 304 AISI stainless steel with smooth, rounded corners.
- Front panel in 304 AISI stainless steel with Scotch Brite finish.
- All models have right-angled, laser cut side edges to allow flush-fitting joins between units eliminating gaps and possible dirt traps.

EASY TO USE

- Stainless steel burners with optimized combustion, flame failure device and protected pilot light.
- Automatic temperature control via a thermostat adjustable from 30° to 90°C.
- Piezo ignition for the gas models and knob switch for the electric models.
- Equipped with water filling device.
- All gas appliances are supplied for use with natural gas or LPG. Conversion jets supplied as standard.

- Well with rounded corners and edges is designed to take 1/1 GN containers with a maximum depth of 150 mm (1 set on the ½ module units and 2 sets on the full module units, to be requested as accessories).
- Well drainage via front tap.
- Feet in 304 AISI stainless steel adjustable in height 50mm.

EASY TO MAINTAIN

- IPX4 water protection.

EASY ON THE ENVIRONMENT

- 98% recyclable by weight.
- CFC free packaging.



Electrolux

Elco 700HP
Freestanding Gas Bain-marie

	QMGV800 178756
TECHNICAL DATA	
Power supply	Gas
External dimensions - mm	
width	800
depth	730
height	850
height adjustment	50
N° of wells	1
Usable well dimensions - mm	
width	630
depth	510
height	156
Storage cupboard - mm	
width	680
depth	640
height	420
Power - kW	
gas	4.5
Net weight - kg.	40
ACCESSORIES	
2 DRAWERS FOR OPEN BASE	216255
2 SIDE COVERING PANELS FOR TOP-D=700MM	216277
2 SIDE COVERING PANELS H=700 D=700	216000
2 SIDE KICKING STRIPS-CONCRETE INSTALL.	206265
2 SUPPORTS+RUNNERS FOR 4 GN 1/1&2/1 CONT	206244
4 FEET FOR CONCRETE INSTALLATION	206210
4 WHEELS (2 WITH BRAKE)	206188
CENTRAL SUPPORT FOR 800MM/1200MM CUPB.	206245
CHIMNEY COVER 800MM OPEN-LARGE CHIMNEY	206273
DRILLED FALSE BOTTOM F.BAIN-MARIE 700MM	921623
ELECTRIC HEATING KIT FOR CUPBOARDS	206259
FLANGED FEET KIT	206136
FRONT.KICK.STRIP F.CONCRETE INST.1000 MM	206150
FRONT.KICK.STRIP F.CONCRETE INST.1200 MM	206151
FRONT.KICK.STRIP F.CONCRETE INST.1600 MM	206152
FRONT.KICK.STRIP F.CONCRETE INST.200 MM	206146
FRONT.KICK.STRIP F.CONCRETE INST.400 MM	206147
FRONT.KICK.STRIP F.CONCRETE INST.800 MM	206148
FRONTAL HANDRAIL 1200 MM	216049
FRONTAL HANDRAIL 1600 MM	216050
FRONTAL HANDRAIL 400 MM	216046
FRONTAL HANDRAIL 800 MM	216047
FRONTAL KICKING STRIP 1000 MM	206177
FRONTAL KICKING STRIP 1200 MM	206178
FRONTAL KICKING STRIP 1600 MM	206179
FRONTAL KICKING STRIP 200 MM	206174
FRONTAL KICKING STRIP 400 MM	206175
FRONTAL KICKING STRIP 800 MM	206176
LARGE HANDRAIL(PORTIONING SHELF)400 MM	216185
LARGE HANDRAIL(PORTIONING SHELF)800 MM	216186
LEFT SIDE DOOR FOR OPEN BASE CUPBOARD	216195
PAIR OF SIDE KICKING STRIPS	206249
PRESSURE REGULATOR FOR GAS UNITS	927225
RIGHT AND LEFT SIDE HANDRAILS	206240
RIGHT SIDE DOOR FOR OPEN BASE CUPBOARD	216194
SIDE WALL FOR CUPBOARD	206252

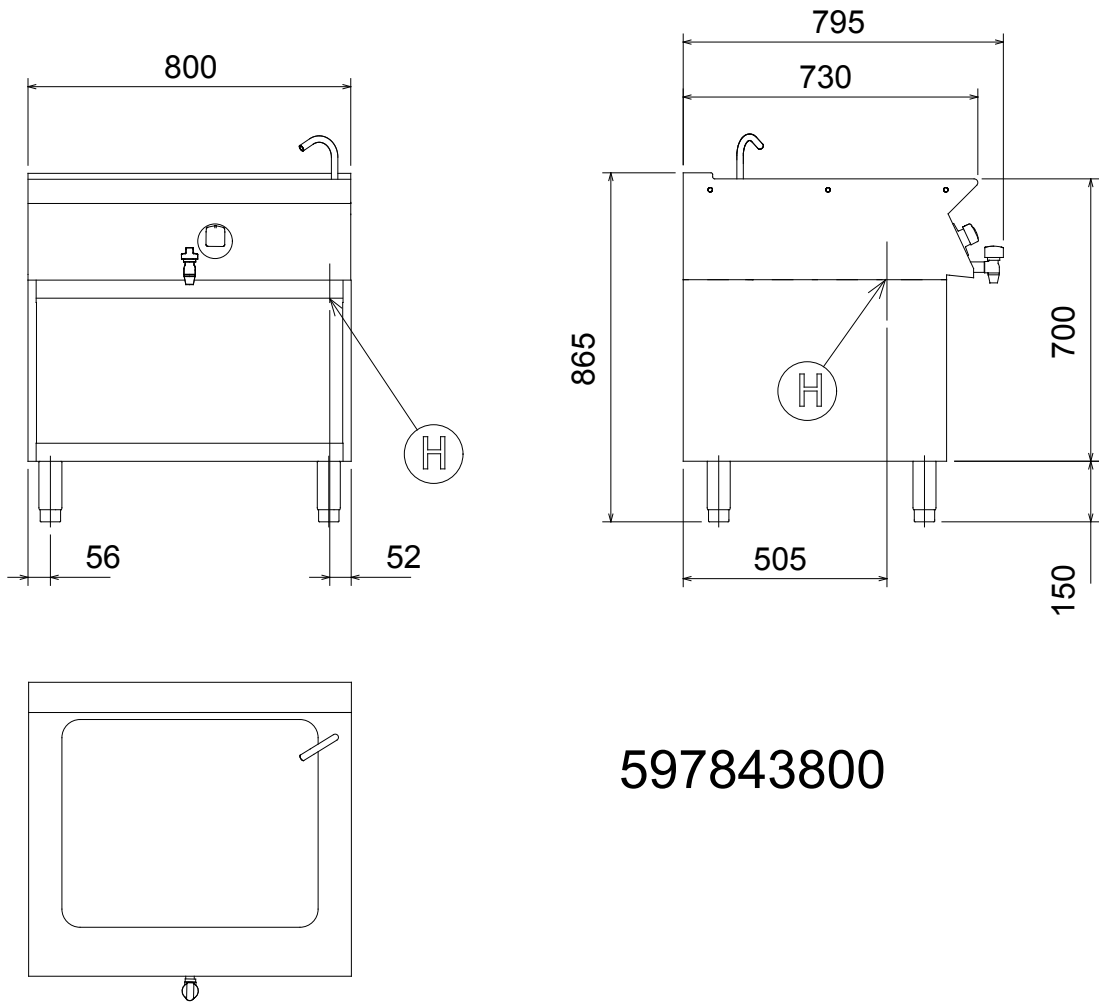
CGMA010

2008-04-04

Subject to change without notice

Elco 700HP
Freestanding Gas Bain-marie

178756



597843800

CGMA010

2008-04-04

Subject to change without notice

	QMGV800 178756
LEGEND	
B - Cold water inlet	3/8"
C - Water drain	1/2"
H - Gas connection	1/2"