

## Freestanding Gas Pasta Cookers

The Elco 700HP range is comprised of over 100 models designed to guarantee the highest level of performance, reliability, energy saving, safety standards and ergonomic operation. These concepts are reflected in the total modularity of the range that ensures numerous configurations, either free-standing or bridged. Elco 700HP demonstrates how advanced technology can satisfy the needs of the professional caterer. The models detailed on this sheet are Freestanding Gas Pasta Cookers.



178744 + optional accessory 927221

### EASY TO INSTALL

- Main connections can be accessed via the rear or base of the unit.

### EASY TO CLEAN

- One piece pressed worktop in 1,5mm 304 AISI stainless steel with smooth, rounded corners.
- Front panel in 304 AISI stainless steel with Scotch Brite finish.
- All models have right-angled, laser cut side edges to allow flush-fitting joints between units eliminating gaps and possible dirt traps.

- Well in 316 AISI stainless steel thus guaranteeing high resistance against the water and salt corrosive action.
- Recessed, double skinned door with pressed internal panel for air-tight closure and better hygiene.
- Inside door panel in 304 AISI stainless steel.
- Feet in 304 AISI stainless steel adjustable up to 50mm in height.

### EASY TO USE

- Easy to use control panel with gas cock, piezo ignition and water tap.

- High-power burners (one for each well) with optimized combustion positioned beneath the base of the well, featuring flame failure device and pilot light with separate power settings for each well.
- Skimming zone for collecting and discharging, through the overflow filter, of starches and foams.
- Appliances are supplied for use with natural gas or LPG. Conversion jets supplied as standard.



**Electrolux**

**Elco 700HP**  
**Freestanding Gas Pasta Cookers**

**EASY TO MAINTAIN**

- IPX4 water protection.
- Ease of maintenance guaranteed by frontal access to all working components.

**EASY ON THE ENVIRONMENT**

- 98% recyclable by weight.
- CFC free packaging.

\*In accordance with CE regulations for gas models belonging to Class B11 (power over 14 kW), it is necessary to install a chimney (if installed under a hood) or chimney and draft diverter if the waste gases are vented directly outside.

|  | <b>QCPG400<br/>178743</b> | <b>QCPG800<br/>178744</b> |
|--|---------------------------|---------------------------|
| <b>TECHNICAL DATA</b>                    |                           |                           |
| Power supply                             | Gas                       | Gas                       |
| External dimensions - mm                 |                           |                           |
| width                                    | 400                       | 800                       |
| depth                                    | 730                       | 730                       |
| height                                   | 850                       | 850                       |
| height adjustment                        | 50                        | 50                        |
| N° of wells                              | 1                         | 2                         |
| Usable well dimensions - mm              |                           |                           |
| width                                    | 250                       | 250                       |
| depth                                    | 400                       | 400                       |
| height                                   | 300                       | 300                       |
| Well capacity - min/max - lt.            | 18, 24.5                  | 18, 24.5                  |
| Power - kW                               |                           |                           |
| gas                                      | 10.5                      | 21                        |
| Net weight - kg.                         | 50                        | 50                        |
| <b>INCLUDED ACCESSORIES</b>              |                           |                           |
| LEFT SIDE DOOR FOR OPEN BASE CUPBOARD    | 1                         | 1                         |
| RIGHT SIDE DOOR FOR OPEN BASE CUPBOARD   |                           | 1                         |
| <b>ACCESSORIES</b>                       |                           |                           |
| 2 BASKETS 105X350 FOR PASTA COOKERS      | 921619                    | 921619                    |
| 2 BASKETS 170X220 FOR PASTA COOKERS      | 921610                    | 921610                    |
| 2 SIDE COVERING PANELS FOR TOP-D=700MM   | 216277                    | 216277                    |
| 2 SIDE COVERING PANELS H=700 D=700       | 216000                    | 216000                    |
| 2 SIDE KICKING STRIPS-CONCRETE INSTALL.  | 206265                    | 206265                    |
| 4 BASKETS 105X160 FOR PASTA COOKERS      | 921618                    | 921618                    |
| 4 FEET FOR CONCRETE INSTALLATION         | 206210                    | 206210                    |
| BASKET 350X220 FOR PASTA COOKERS         | 921611                    | 921611                    |
| CHIMNEY COVER 400MM OPEN                 | 206284                    |                           |
| CHIMNEY COVER 800MM OPEN-LARGE CHIMNEY   |                           | 206273                    |
| DRAUGHT DIVERTER WITH 120 MM DIAMETER    |                           | 206126                    |
| FLANGED FEET KIT                         | 206136                    | 206136                    |
| FLUE CONDENSER                           |                           | 206246                    |
| FRONT.KICK.STRIP F.CONCRETE INST.1000 MM | 206150                    | 206150                    |
| FRONT.KICK.STRIP F.CONCRETE INST.1200 MM | 206151                    | 206151                    |
| FRONT.KICK.STRIP F.CONCRETE INST.1600 MM | 206152                    | 206152                    |
| FRONT.KICK.STRIP F.CONCRETE INST.200 MM  | 206146                    | 206146                    |
| FRONT.KICK.STRIP F.CONCRETE INST.400 MM  | 206147                    | 206147                    |
| FRONT.KICK.STRIP F.CONCRETE INST.800 MM  | 206148                    | 206148                    |
| FRONTAL HANDRAIL 1200 MM                 | 216049                    | 216049                    |
| FRONTAL HANDRAIL 1600 MM                 | 216050                    | 216050                    |
| FRONTAL HANDRAIL 400 MM                  | 216046                    | 216046                    |
| FRONTAL HANDRAIL 800 MM                  | 216047                    | 216047                    |
| FRONTAL KICKING STRIP 1000 MM            | 206177                    | 206177                    |
| FRONTAL KICKING STRIP 1200 MM            | 206178                    | 206178                    |
| FRONTAL KICKING STRIP 1600 MM            | 206179                    | 206179                    |
| FRONTAL KICKING STRIP 200 MM             | 206174                    | 206174                    |
| FRONTAL KICKING STRIP 400 MM             | 206175                    | 206175                    |
| FRONTAL KICKING STRIP 800 MM             | 206176                    | 206176                    |
| LARGE HANDRAIL(PORTIONING SHELF)400 MM   | 216185                    | 216185                    |
| LARGE HANDRAIL(PORTIONING SHELF)800 MM   | 216186                    | 216186                    |
| LID FOR PASTA COOKERS                    | 921607                    | 921607                    |
| PAIR OF SIDE KICKING STRIPS              | 206249                    | 206249                    |
| PRESSURE REGULATOR FOR GAS UNITS         | 927225                    | 927225                    |
| RIGHT AND LEFT SIDE HANDRAILS            | 206240                    | 206240                    |
| SUPPORT FOR 4 PASTA COOKER BASKETS       | 921606                    | 921606                    |

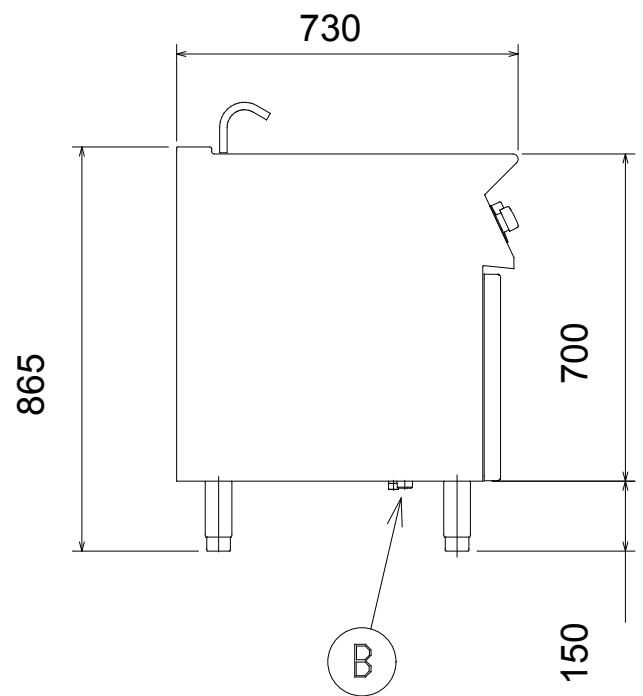
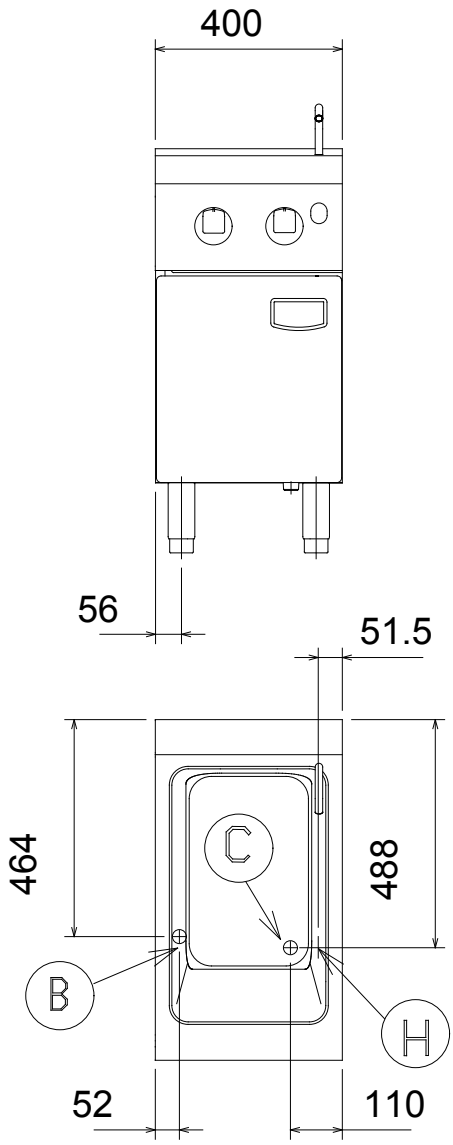
CGGA010

2008-04-04

Subject to change without notice

Elco 700HP  
Freestanding Gas Pasta Cookers

178743



597843200

CGGA010

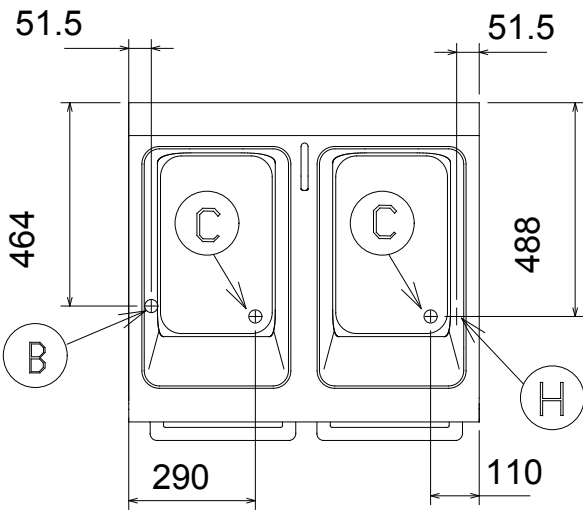
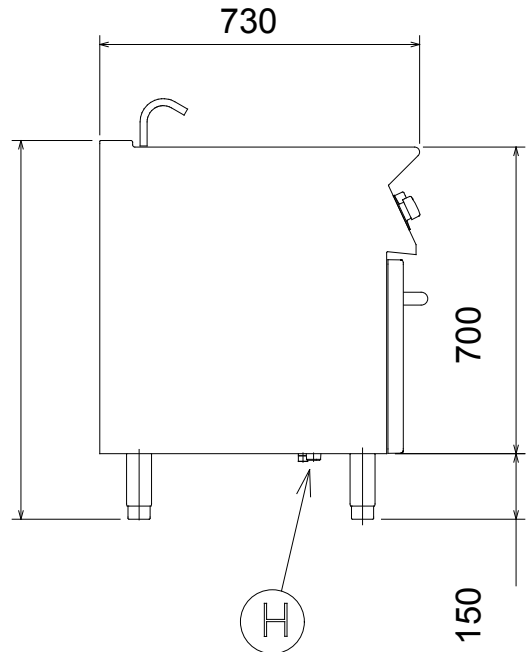
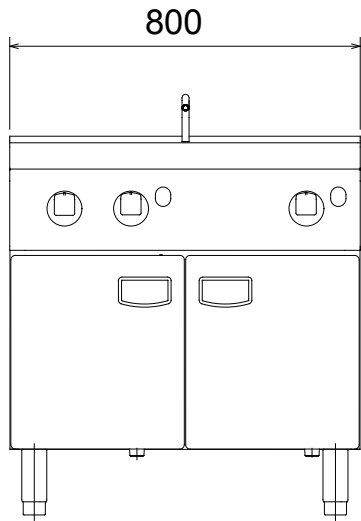
2008-04-04

| <b>QCPG400<br/>178743</b> |      |
|---------------------------|------|
| <b>LEGEND</b>             |      |
| B - Cold water inlet      | 1/2" |
| C - Water drain           | 1"   |
| H - Gas connection        | 1/2" |

Subject to change without notice

Elco 700HP  
Freestanding Gas Pasta Cookers

178744



597843300

CGGA010

2008-04-04

|                      |  | QCPG800<br>178744 |
|----------------------|--|-------------------|
| <b>LEGEND</b>        |  |                   |
| B - Cold water inlet |  | 1/2"              |
| C - Water drain      |  | 1"                |
| H - Gas connection   |  | 1/2"              |

Subject to change without notice