

# Electrolux Dishwashing

## Pot & Pan Washer WT850E

The Electrolux Dishwashing range is produced for customers with the highest conceivable demands for good efficiency, economy and ergonomics for dishwashing operation. The product range comprises glasswashers, undercounter dishwashers, hood type dishwashers, rack type dishwashers, flight type dishwashers and pot and pan washers. The pot and pan washers WT830 and WT850 range is designed for washing containers, baking plates, trays, pots and pans, casseroles, storage boxes and cooking utensils. The product, detailed on this sheet, is a WT 850 front loading model.



Model 506022

### EASY TO INSTALL

- Only one cable for electrical connection.
- External connecting board, protected by a waterproof plastic box.
- Simple service from the front.

### EASY TO CLEAN

- Easier access to the washing chamber thanks to the 180° frontal opening door.
- Smooth surfaces and a wash tank with rounded corners to facilitate cleaning.
- Wash- and rinse-arms easy to remove.
- Pump and tank filters easy to remove.
- Large strainer box above the water surface for frequent cleaning operations.
- Self cleaning cycle.

### EASY TO USE

- Requires limited space for opening thanks to the door divided in 2 parts.
- Finished in top quality materials to aid durability.
- Double skin insulated door for less heat and noise dispersion.
- Lateral washing arms.
- Pre-arrangements for automatic detergent dispenser and for connection to an Energy Management device.
- Available, on request, model pre-arranged for HACCP implementation (both basic as well as integrated system).
- High efficiency non-return (air gap class A) valve in water inlet circuit.
- Simple electronic control panel.
- 4 washing programs. One of the programs is continual.
- Atmospheric insulated boiler combined with the rinse booster

pump for perfect rinsing performances in terms of sanitation, energy saving (water temperature always constant during rinsing cycles), independence from the water pressure on the network.

### EASY TO MAINTAIN

- 304 AISI stainless steel front and side panels, wash tank, tank filter and wash and rinse arms.
- Wash- and rinse arms in stainless steel.
- Fault auto-diagnosis system.
- In compliance with the CE requirements.

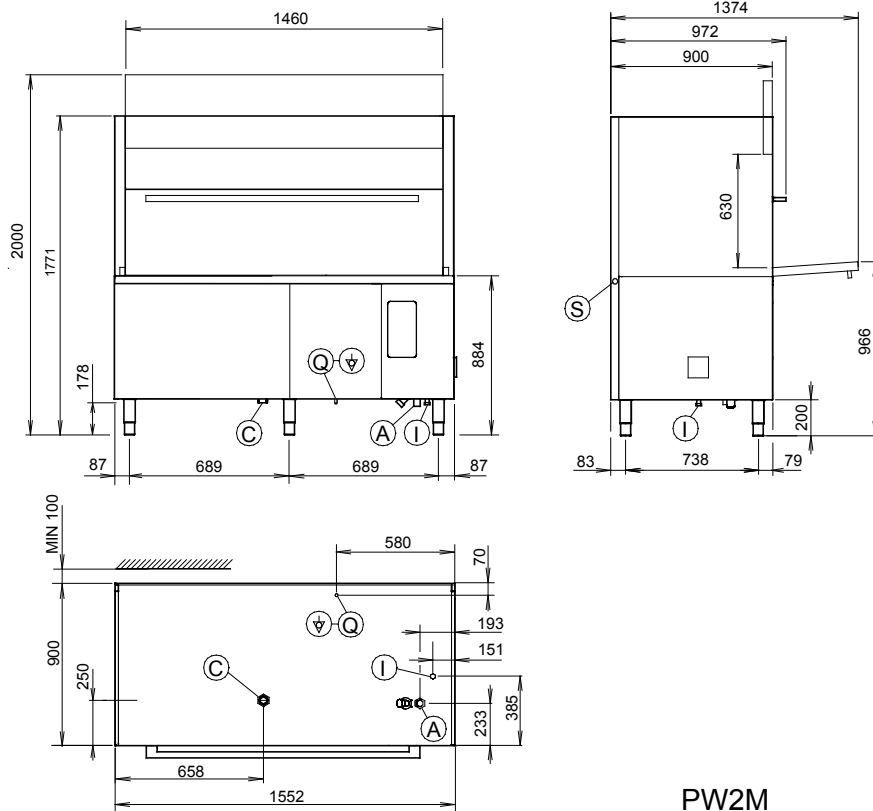
### EASY ON THE ENVIRONMENT

- Low noise level.
- IPX5 water protection.
- 97% recyclable by weight.
- CFC free packaging.



**Electrolux**

506022



PW2M

	WT850EM 506022
<b>LEGEND</b>	
A - Hot water inlet	G 3/4"
C - Water drain	36mm
I - Electrical connection	400 V, 3N, 50
<b>TECHNICAL DATA</b>	
Power supply	Electric
Water supply	
temperature - °C	50
hardness - °f	7-14
Rinse Booster Pump	●
N° of cycles	4
External dimensions - mm	
width	1552
depth	900
height	1770
Duration cycles - sec.	180/360/540/inf
Cell dimensions - mm	
width	1350
depth	710
height	680
Washing cycle	
temperature - °C	55-65
tank capacity - lt.	150
power pump - kW	5
electrical elements - kW	10.5
Hot rinse cycle	
duration - sec.	20
temperature during rinse - °C	84
water consumption - lt./cycle	12
Boiler capacity - lt.	18
Boiler elements - kW	10.5
Power - kW	
Rinse pump	0.35
total power	17
Net weight - kg.	300
<b>INCLUDED ACCESSORIES</b>	
EXTRA RACK FOR CONTAINERS AND TRAYS	2
S/S BASKET FOR POT WASHER,1351 MM	1
<b>ACCESSORIES</b>	
EXTRA RACK FOR CONTAINERS AND TRAYS	864182
FILTER FOR PARTIAL DEMINERALIZATION	864017
FILTER FOR TOTAL DEMINERALIZATION	864015
HACCP PRINTER KIT FOR UC, HT AND POTW	864002
INTEGRATED HACCP KIT FOR UC, HT AND POTW	864001
KIT TO MEASURE TOTAL/PART.WATER HARDNESS	864050
S/S BASKET FOR POT WASHER,1351 MM	864192

Electrolux Dishwashing

Pot &amp; Pan Washer WT850E

IGA020

2008-04-03

Subject to change without notice