

# Electrolux Holding cabinet

## Holding cabinet for air-o-steam

The holding cabinet is intended to be used as a complement to the Electrolux air-o-steam convection steamers range. The holding cabinet is designed to accept the trolley rack for the air-o-steam 20. Thanks to the space-saving size and convenient loading and unloading the cabinet can be placed either at the side or behind a food counter in order to keep the main components of a meal at an even serving temperature. The pass-through model also allows easy loading of food directly from the kitchen when the cabinet is placed at the back of the food counter line.



922029 + trolley with tray rack

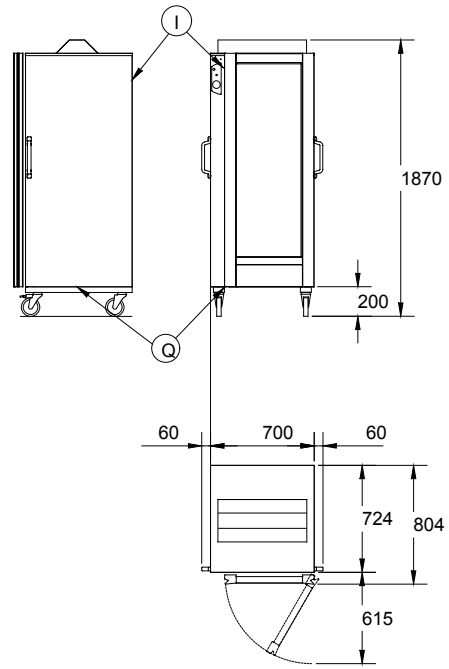
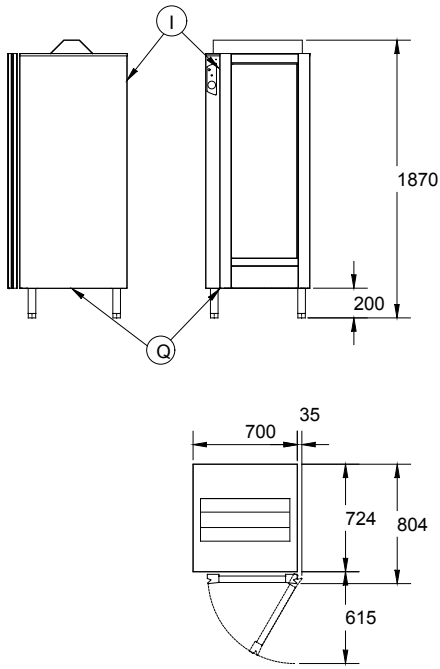
- External and internal made in AISI 304 stainless steel.
- Easy to clean due to easy removable internal parts and rounded corners.
- Full size glass door with gasket, 3 fixed positions and heat reflecting thermo glass.
- Interior lightning in cabinet.
- Fan for perfect heat distribution in cabinet.
- Provided with a tray for manual filling of water to generate extra moist.
- Combistat to control operation of cabinet.
- Equipped with 230V single phase connection plug for easy installation.
- Easy to change the position of the hinges from left to right.
- Pass-through model equipped with full size glass doors on both sides.
- Mobile model with handles for easy transportation.
- The holding cabinet meets the requirements of CE.
- IP45 water protection.



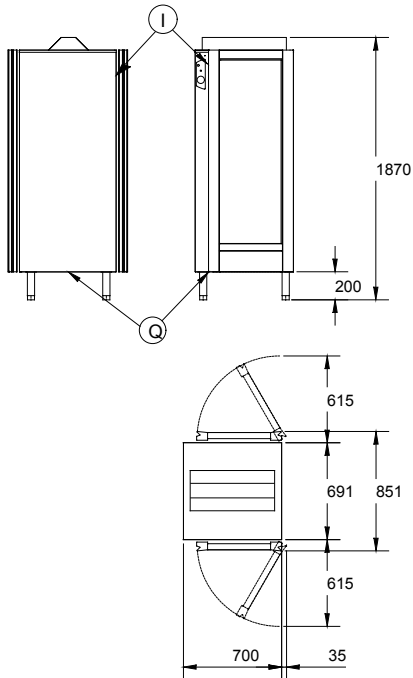
**Electrolux**

922027

922028



922029



Electrolux Holding cabinet

Holding cabinet for air-o-steam

EH0010

2008-04-03

Subject to change without notice

	<b>HCH20 922027</b>	<b>HCH20W 922028</b>	<b>HCH20P 922029</b>
<b>LEGEND</b>			
I - Electrical connection	230 V, 1N, 50	230 V, 1N, 50	230 V, 1N, 50
<b>TECHNICAL DATA</b>			
Type	A - HOLDING CABINET LENGHT	A - HOLDING CABINET LENGHT	A - HOLDING CABINET LENGHT
External dimensions - mm			
width	735	735	735
depth/with open doors	750	770	825
height	1870	1870	1870
Power - kW			
installed-electric	1.8	1.8	1.8
Noise level - dBA	55	55	55
Net weight - kg.	95	110	105
Supply voltage	230 V, 1N, 50	230 V, 1N, 50	230 V, 1N, 50