

Electrolux Modular Static Preparation

Refrigerated wall cupboards

The Electrolux Modular preparation range allows Professional caterers to design the preparation area of their kitchens providing heavy-duty specifications and features, high hygiene standards and extremely flexible modular functions. The modular design of the range is in line with our high benefit guidelines making it possible to combine worktops and sink tops with ambient, hot, refrigerated and freezer units (with solid hinged doors or special smooth telescopic drawers), offering big storage space thanks to its various lengths



EASY TO USE

- +2°C/+10°C temperature range.
- 40-50 mm high density injected Polyurethane foam, CFC and HCFC free.
- Tropicalised refrigerated units (+43°C).
- Pre-programmed defrosting cycle with automatic evaporation of condensing water.

MATERIALS

- Refrigerated units are completely made of 304 AISI stainless steel with Scotch-Brite finishing.
- Long term energy savings thanks to the material's stability.
- Fitted with evaporator, fan, thermostatic valve, control panel and digital display.
- Self closing S/S or glass doors (<90°).
- Magnetic gaskets easy to replace.

CLEANING

- Ceiling pressed with rounded corners (R=12).
- Easily removable guides and racks.
- All models comply with the strict international standards regarding hygiene and cleanability.



Electrolux

**Electrolux Modular Static Preparation
Refrigerated wall cupboards**

ADGD010

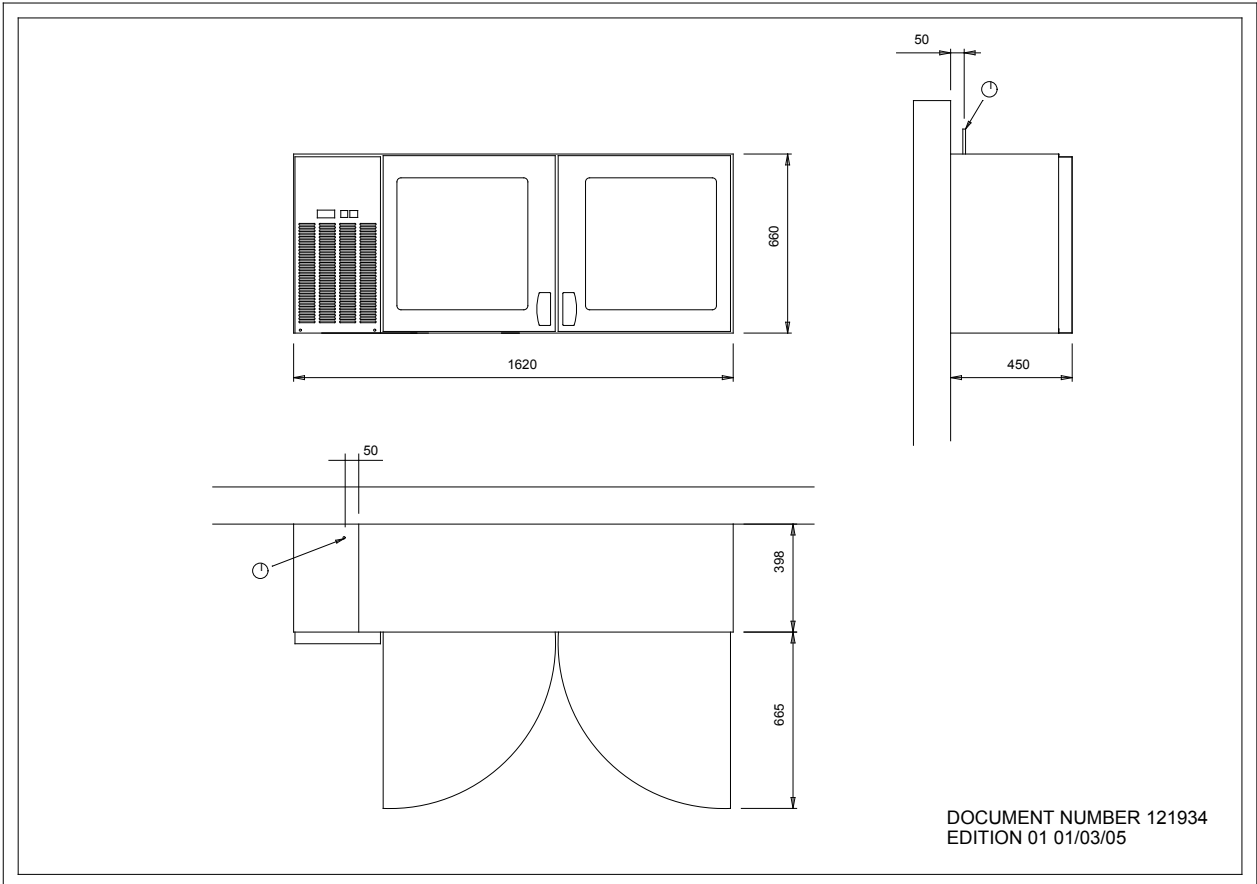
2008-05-30

Subject to change without notice

	PR2VPVT 121934	PR2VT 121935	PRR2VPVT 121936	PRR2VT 121937
TECHNICAL DATA				
Operating temperature - min/max °C	2/10	2/10	2/10	2/10
Control type	Digital	Digital	Digital	Digital
Cooling unit	Built-In	Built-In;	Remote;	Remote
External dimensions - mm				
width	1620	1620	1620	1620
depth/with open doors	450, 1200	450, 1200	450, 1200	450, 1200
height	660	660	660	660
Internal dimensions - mm				
depth	358	358	358	358
height	567	567	567	567
N° and type of door	2	2	2	2
Door hinges	1 Left+1 Right	1 Left+1 Right	1 Left+1 Right	1 Left+1 Right
Refrigerant type	R404a	R404a	R404a	R404a
Refrigerant quantity - g.	400	400	400	400
Refrigerant power - W	430	430	430	430
Evaporation temperature - °C	-10	-10	-10	-10
Power - kW				
installed-electric	0.356	0.0356	0.356	0.0356
Noise level - dBA	56	56	56	56
Net weight - kg.	90	85	75	70
Supply voltage	220...240 V, 1N, 50	220...240 V, 1N, 50	220...240 V, 1N, 50	220...240 V, 1N, 50
Type of door	Glass	S/S	Glass	S/S
ACCESSORIES				
REMOTE UNIT FOR REFRIGERATED CUPBOARDS	855231	855231	855231	855231

**Electrolux Modular Static Preparation
Refrigerated wall cupboards**

121934



DOCUMENT NUMBER 121934
EDITION 01 01/03/05

LEGEND	PR2VPVT
	121934
	16mm
	220...240 V, 1N, 50
C - Water drain	
I - Electrical connection	

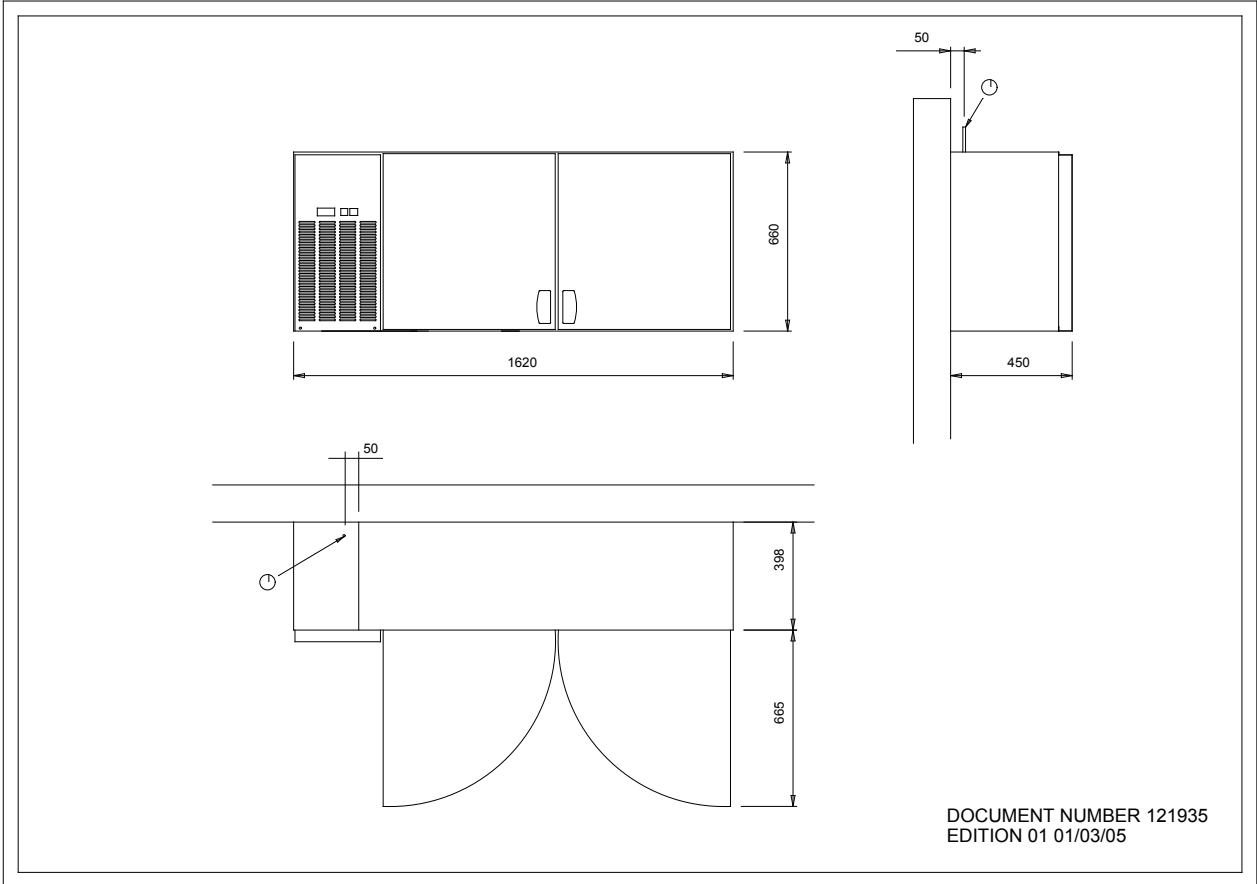
ADGD010

2008-05-30

Subject to change without notice

**Electrolux Modular Static Preparation
Refrigerated wall cupboards**

121935



DOCUMENT NUMBER 121935
EDITION 01 01/03/05

LEGEND C - Water drain I - Electrical connection	PR2VT 121935
	16mm
	220...240 V, 1N, 50

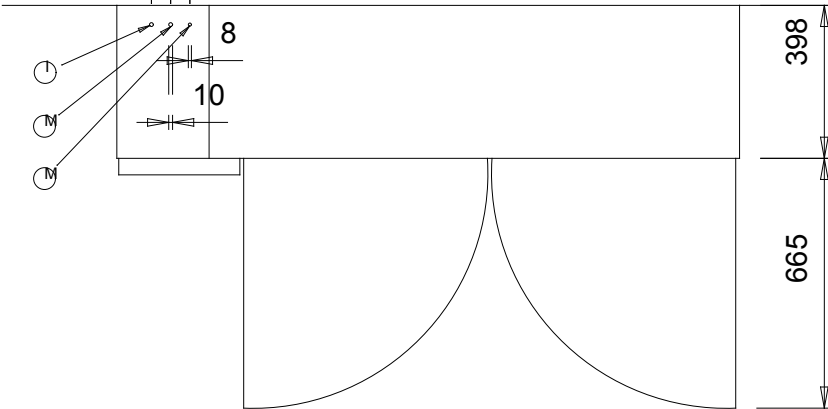
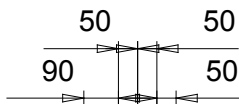
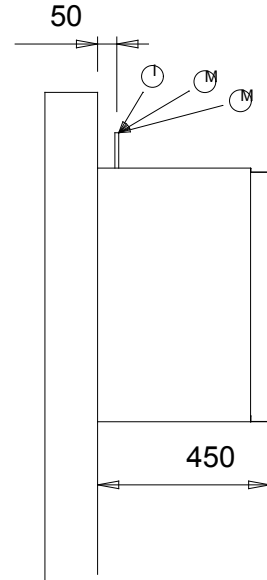
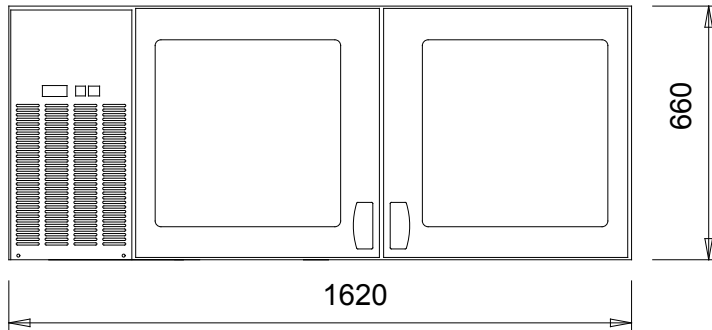
ADGD010

2008-05-30

Subject to change without notice

**Electrolux Modular Static Preparation
Refrigerated wall cupboards**

121936



DOCUMENT NUMBER 121936
EDITION 01 01/03/05

LEGEND C - Water drain I - Electrical connection M - Remote refrigeration connection	PRR2VPVT 121936
	16mm
	220...240 V, 1N, 50
	●

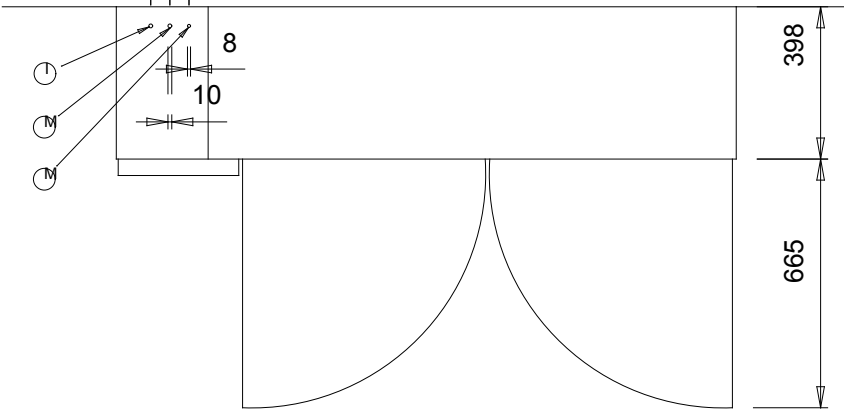
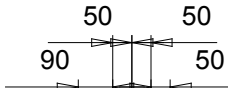
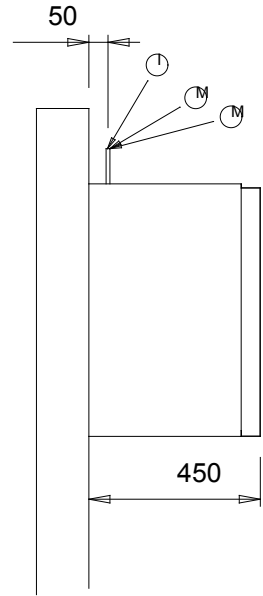
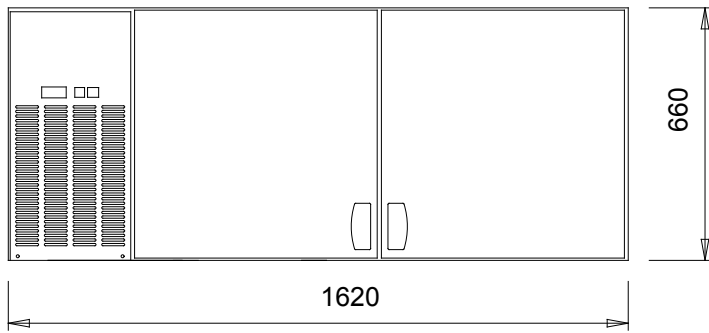
ADGD010

2008-05-30

Subject to change without notice

**Electrolux Modular Static Preparation
Refrigerated wall cupboards**

121937



DOCUMENT NUMBER 121937
EDITION 01 01/03/05

LEGEND C - Water drain I - Electrical connection M - Remote refrigeration connection	PRR2VT 121937
	16mm
	220...240 V, 1N, 50
	●

ADGD010

2008-05-30

Subject to change without notice