

Electrolux Roll-in/Pass-through

Compact

The Electrolux range of Roll-in and Roll-in/Pass-Through cabinets has been produced for large size customers, as big caterers, hospitals, in-flight, institutions etc., demanding the highest efficiency in the kitchen-flow. Appliances able to fit perfectly with any kind of trolleys, which are basic in every well-organised food flow. The Electrolux Roll-in are also used to implement a Cook & Chill and Banqueting concept. The whole range includes different sizes, refrigerated roll-in and roll-in/pass-through and hot roll-in.



726650 + trolley (881521)

EASY TO INSTALL

- Excellent space optimisation, thanks to the compact dimensions (footprint = 0.56 m²).
- Plug-in installation: 1 phase, 220/240V supply.
- Available with built-in or remote refrigeration unit; with full or glass door.

EASY TO CLEAN

- The whole interior cell is constructed of AISI 304 stainless steel with round corners for a better internal cleanability. There are no obstructions or dirt traps.
- Evaporator and fan are outside the cell.
- External panels are in AISI 304 stainless steel for better cleanability.

EASY TO USE

- Designed to operate at ambient temperatures of up to 43°C (or up to 32°C for glass door models).
- Automatic defrost.
- Internal light in the glass door models.
- Simple control panel: on/off switch, high/low humidity switch, digital temperature display (light switch on glass door models).
- Ventilated cooling for the best temperature distribution.
- Suitable for all kinds of 18 Shelves GN 1/1 trolleys - the most used ones.
- Designed to fit with the 18 Shelves GN 2/ 1 trolley available as optional accessory (881521).

EASY TO MAINTAIN

- Bottom door gasket adjustable.
- All models finished in top quality materials to guarantee durability.
- Lift-up control panel to better access the main components.

EASY ON THE ENVIRONMENT

- 100% CFC and HCFC free. Refrigeration circuit: R134a gas. Gas in foam: cyclopentane.
- Developed and produced in ISO 9001 and ISO 14001 certified factory.



 **Electrolux**

**Electrolux Roll-in/Pass-through
Compact**

	RI075R1F 726650	RI075R1FR 726652	RI075R1G 726653	RI075R2FGT 726654
TECHNICAL DATA				
Operating temperature - min/max °C	0/10	0/10	2/10	2/10
Operating mode	Ventilated	Ventilated	Ventilated	Ventilated
Control type	Digital	Digital	Digital	Digital
External material				
panels	304 AISI	304 AISI	304 AISI	304 AISI
Gross capacity (D.I.N. 8952) - l.	750	750	750	750
Cooling unit	Built-In	Remote	Built-In	Built-In
External dimensions - mm				
width	750	750	750	750
depth/with open doors	810, 1500	810, 1500	810, 1500	810, 2200
height	2100	2100	2100	2100
Min/Max internal humidity - %	70/80	75/90	55/70	70/80
N° and type of door	1	1	1	2
Door hinges	Right Side	Right Side	Right Side	Right Side
Compressor power - HP	3/8		3/8	3/8
N° defrost in 24 hrs.	3/30'	3/30'	3/30'	3/30'
Refrigerant type	R134a	R134a	R134a	R134a
Refrigerant quantity - g.	260		260	260
Refrigerant power - W	523		645	523
Evaporation temperature - °C	-10	-10	-10	-10
Power - kW				
installed-electric	0.463	0.15	0.7	0.463
Noise level - dBA	54.5		54.5	54.5
Net weight - kg.	150	131	150	150
Supply voltage	230 V, 1N, 50	230 V, 1N, 50	230 V, 1N, 50	230 V, 1N, 50
Insulation Thickness	60 mm	60 mm	60 mm	
ACCESSORIES				
PRINTER FOR HACCP BASIC VERSION REFRIG.	881457	881457	881457	881457
TROLLEY 18 GN2/1 FOR ROLL-IN 750 L	881521	881521	881521	881521

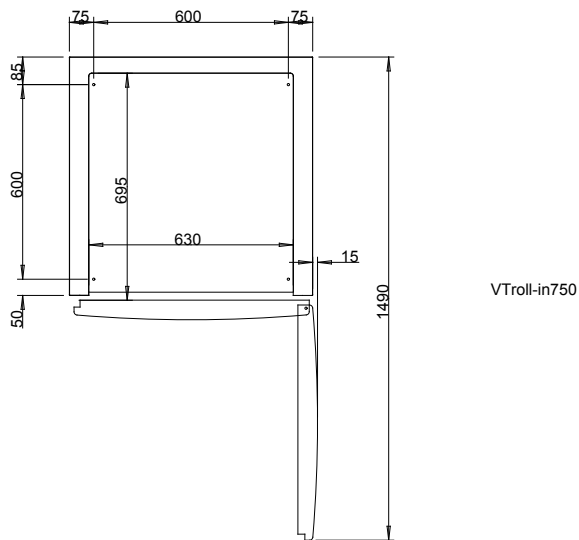
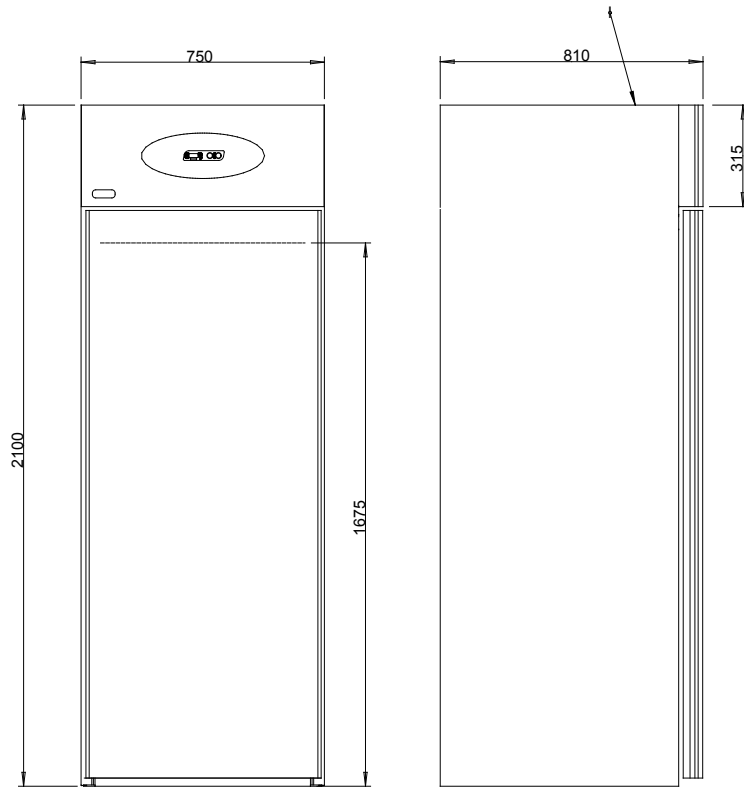
HAI040

2008-04-03

Subject to change without notice

Electrolux Roll-in/Pass-through Compact

726650



LEGEND

I - Electrical connection

**RI075R1F
726650**

230 V, 1N, 50

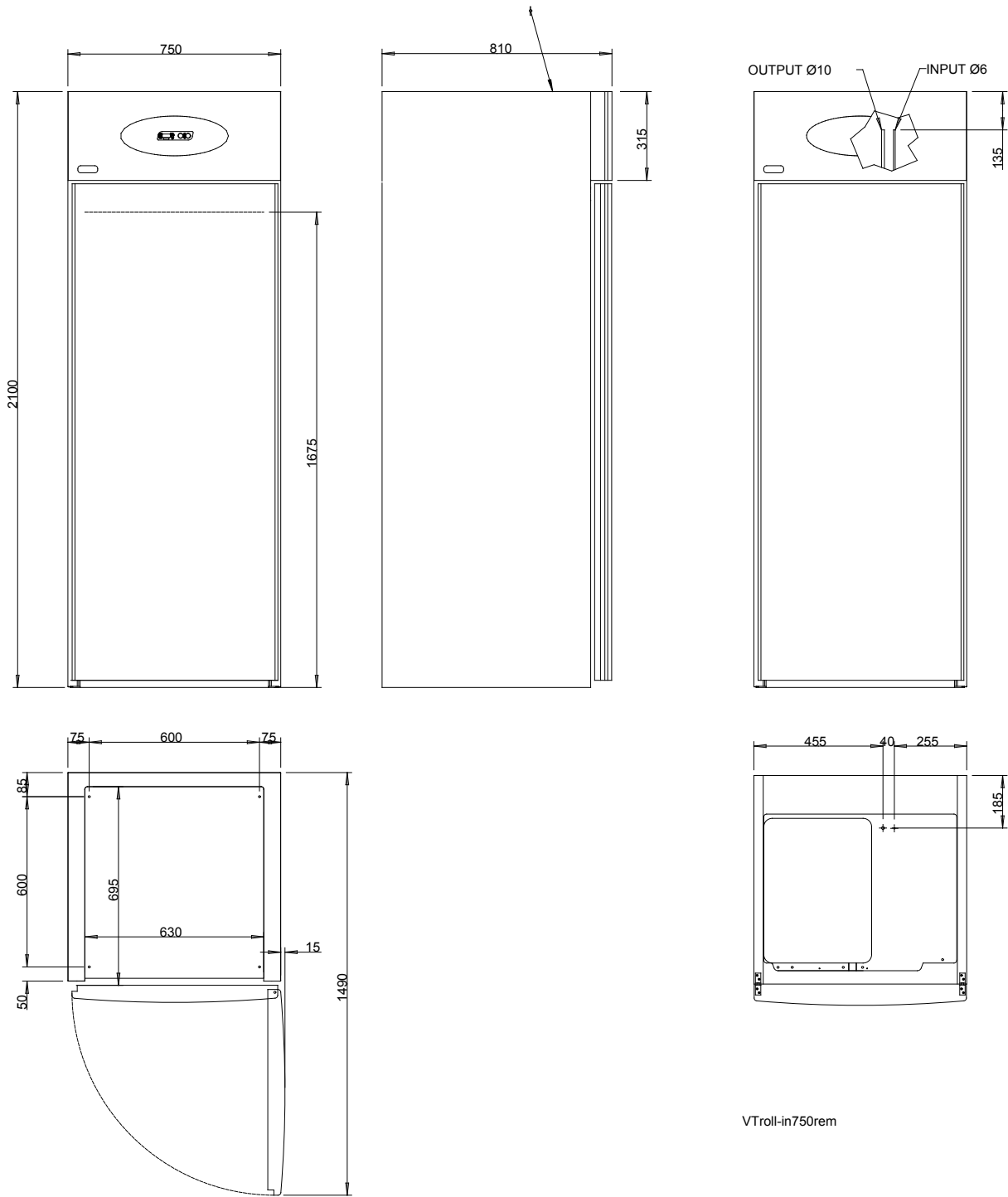
HAI040

2008-04-03

Subject to change without notice

Electrolux Roll-in/Pass-through Compact

726652



HAI040

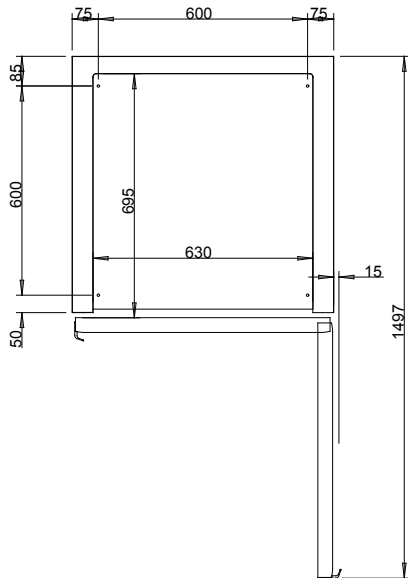
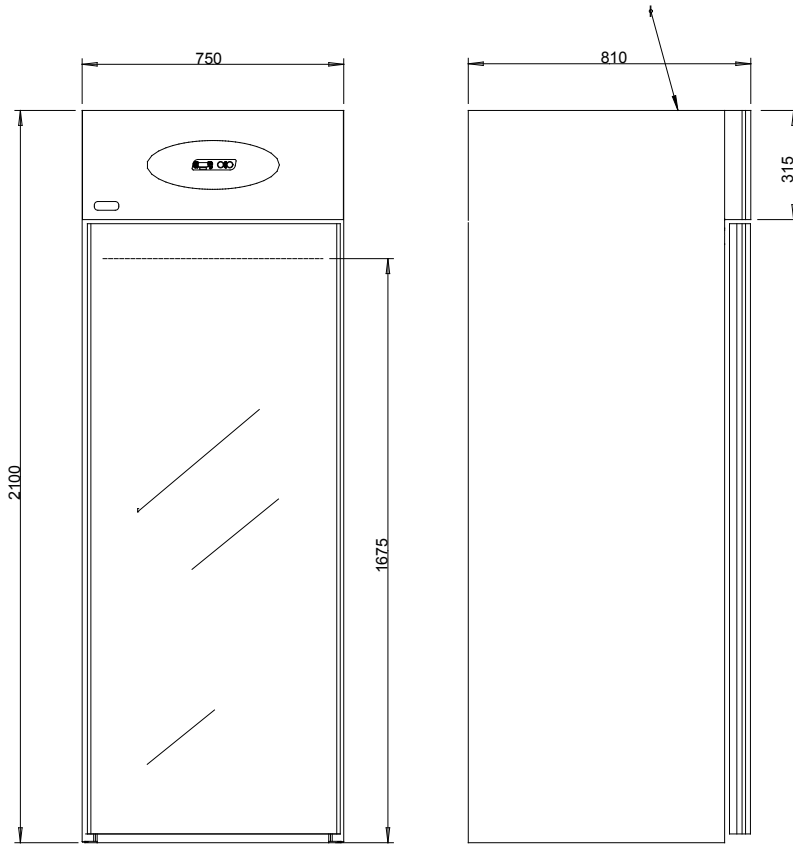
2008-04-03

Subject to change without notice

LEGEND I - Electrical connection M - Remote refrigeration connection	RI075R1FR 726652
	230 V, 1N, 50
	●

Electrolux Roll-in/Pass-through Compact

726653



VTROLL-IN750GL

LEGEND I - Electrical connection	RI075R1G 726653
	230 V, 1N, 50

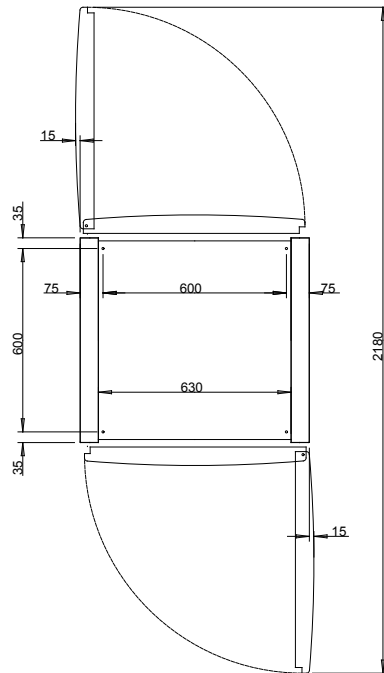
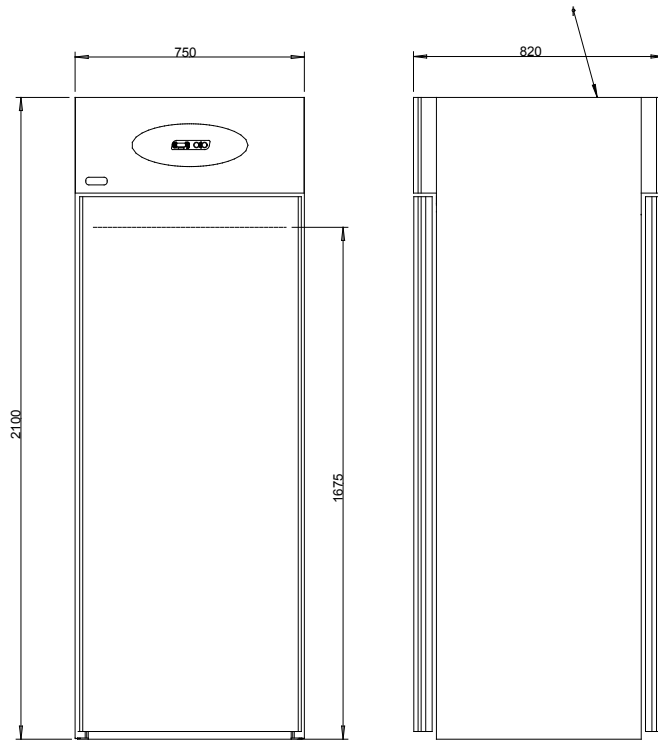
HAI040

2008-04-03

Subject to change without notice

Electrolux Roll-in/Pass-through Compact

726654



VTPASS-THR750

LEGEND

I - Electrical connection

**RI075R2FGT
726654**

230 V, 1N, 50

HAI040

2008-04-03

Subject to change without notice