

Electrolux Ice Makers

24/28 KG

The range of Electrolux ice makers/flakers is designed to meet every size of catering outlet, with a range of 21 models producing from 21 - 200 kg of cubes per 24 hours or 90 - 500 kg of ice flakes per 24 hours. A spray system produces solid, crystal clear ice cubes and flakes that are slow to melt and do not immediately dilute the drink.



730523

EASY TO INSTALL

- All units are supplied with flexible water supply and drain hoses.
- Plug as standard.
- Suitable for gravity drain only.

EASY TO CLEAN

- AISI 304 stainless steel exterior.
- Food grade ABS interior.
- Stainless steel spray arms removable without the use of tools.

EASY TO USE

- Fully automatic in operation.
- Operates over a wide range of temperatures.

EASY TO MAINTAIN

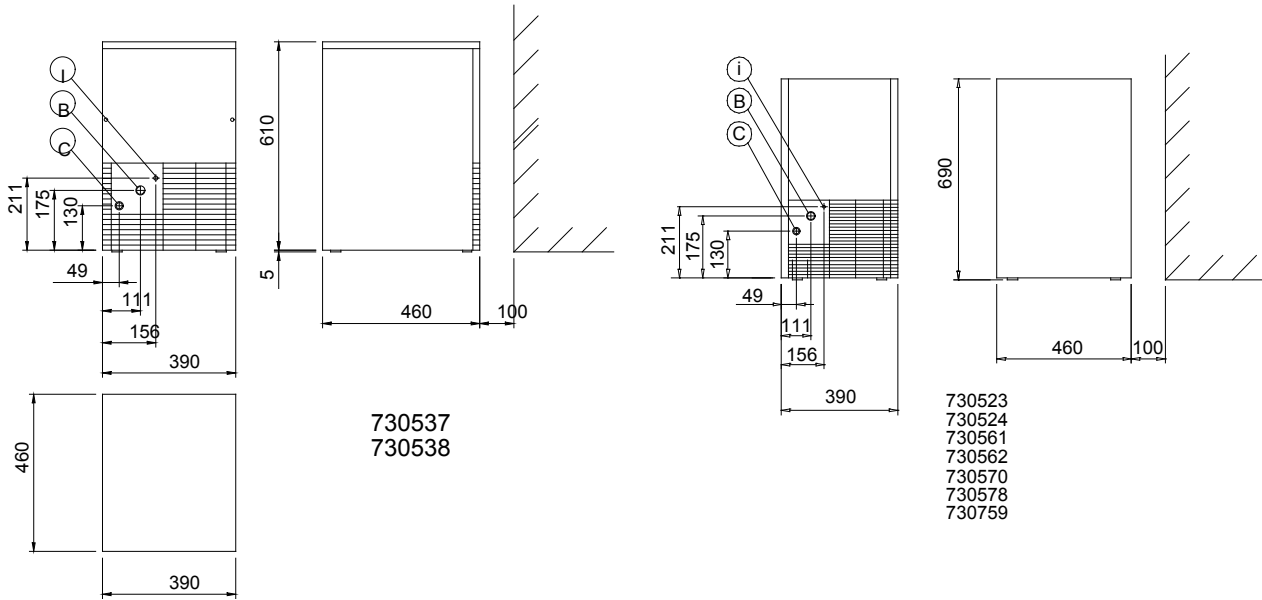
- Access to main components from the front.
- Efficient air or water cooling system.
- In compliance with CE requirements.

EASY ON THE ENVIRONMENT

- Rated output is at an ambient air temperature of 21°C and water supply temperature of 15°C.



Electrolux



	FGC24A 730537	FGC24W 730538	RIMC029SA 730523	RIMC029SW 730524
LEGEND				
B - Cold water inlet			3/4"	3/4"
C - Water drain			24mm	24mm
I - Electrical connection	220/240 V, 1N, 50	220/240 V, 1N, 50	220/240 V, 1N, 50	220/240 V, 1N, 50
TECHNICAL DATA				
Air cooled	●		●	
Water cooled		●		●
Output - kg/day	24	24	28	28
Bin capacity - Kg	6	6	9	9
External dimensions - mm				
width	390	390	390	390
depth	460	460	460	460
height	610	610	690	690
Power - kW				
installed-electric	0.35	0.35	0.37	0.37
Net weight - kg.	35	35	37	37
Supply voltage	220/240 V, 1N, 50	220/240 V, 1N, 50	220/240 V, 1N, 50	220/240 V, 1N, 50