

Refrigerated Well Units

The new Self Service Fit System is a flexible solution with compact dimensions to solve the problems of food servery in any location. It is versatile and trendy (with its appealing aesthetics thanks to the cherry wood finish or the stainless steel panelling). The **refrigerated well units** are ideal for the refrigeration, conservation and display of GN containers, juices, yoghurt, milk and cold drinks or items. The models detailed on this sheet are refrigerated well units (stainless steel and cherry wood finish) 1125, 2500 mm in length (3 and 4 GN). The codes 320136 and 320140 are available on a refrigerated cupboard suitable to store GN containers, bottles, cold items.



320138

- Refrigerated well units include:
 - wheels
 - pannelings in stainless steel or with cherry wood finish
 - doors (on neutral base) on the operator side in stainless steel or with cherry wood finish
 - 1 tray slider on the customer side with stainless steel pipes or cherry wood finish
 - 1 refrigerated cupboard on codes 320136 and 320140
 - 1 overshelf with neon lights
 - 304 AISI stainless steel top with rounded edges.
 - Well with all corners rounded to facilitate cleaning.
 - The well dimensions allow the storage of 1/1 GN containers (2 in the model 750 mm in length, 3 in the model 1125 mm in length and 4 in the model 1500 mm in length)

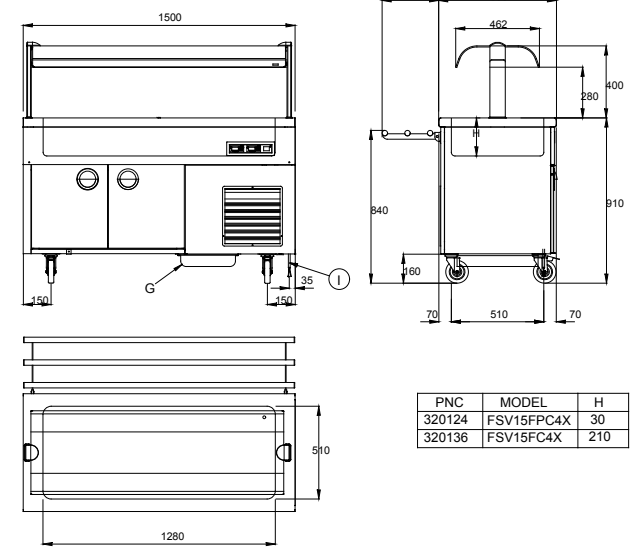
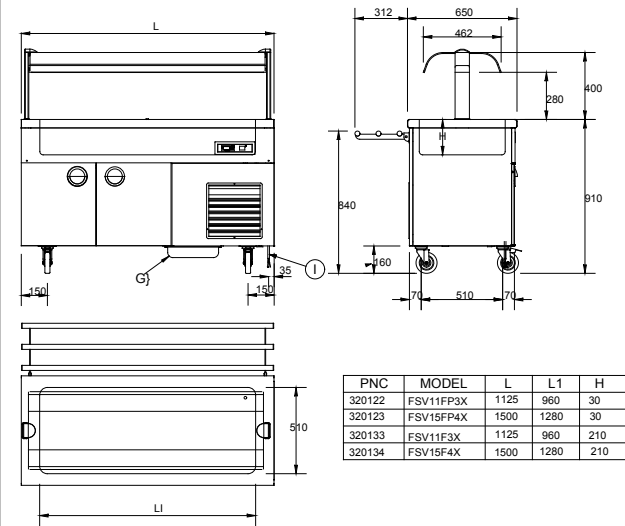
or various combinations of containers, all with a maximum height of 200 mm (available as accessories).

- Static cooling.
- Thermostatically controlled temperature can be set from +2 to +10°C, at ambient temperature, following HACCP rules.
- Refrigerated cupboard with thermostatically controlled temperature can be set from +2 to +10°C, at ambient temperature, following HACCP rules.
- The cupboard underneath is neutral, for the storage of crockery, or refrigerated, for the storage of food or cold items.
- Digital control panel.

- The tray slider is constructed in 304 AISI stainless steel tubing or with cherry wood finish and is installed on the customer side. The tray slider can also be folded down to facilitate passage of the units through doorways.
- All units are mounted on four wheels, 150 mm in height (two with brakes), but can be mounted on 150 mm high feet (as special).
- Optional tilting plinth can be installed to cover the feet or the wheels.
- All models comply with the standards required by the main international approval bodies and are CE marked.

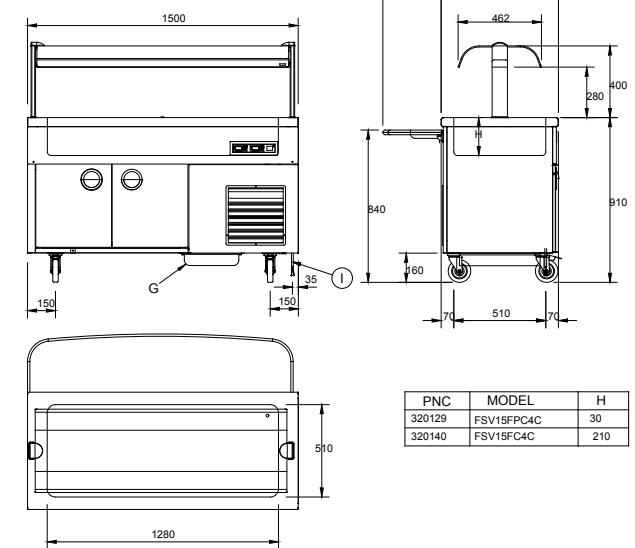
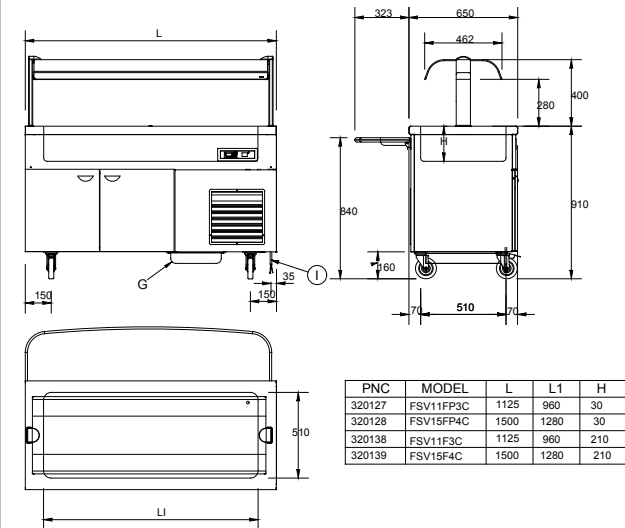
320133, 320134

320136



320138, 320139

320140



	FSV11F3X 320133	FSV15F4X 320134	FSV15FC4X 320136	FSV11F3C 320138	FSV15F4C 320139	FSV15FC4C 320140
LEGEND						
C - Water drain	1/2"	1/2"	1/2"	1/2"	1/2"	1/2"
I - Electrical connection	230 V, 1N, 50	230 V, 1N, 50	230 V, 1N, 50	230 V, 1N, 50	230 V, 1N, 50	230 V, 1N, 50
M - Remote refrigeration unit	Built-In	Built-In	Built-In	Built-In	Built-In	Built-In
TECHNICAL DATA						
Refrigerated well	●	●	●	●	●	●
External dimensions - mm						
width	1125	1500	1500	1125	1500	1500
depth	650	650	650	650	650	650
height	1320	1320	1320	1320	1320	1320
Cabinet						
temperature - °C			+2°/+10°			+2°/+10°
N° and type of door	3, Hinged	4, Hinged	4, Hinged	3, Hinged	4, Hinged	4, Hinged
Well						
width - mm	960	1280	1280	960	1280	1280
depth - mm	510	510	510	510	510	510
height - mm	210	210	210	210	210	210
temperature - °C	0°/+10° C	0°/+10° C	0°/+10°	0°/+10° C	0°/+10° C	0°/+10°
Power - kW						
installed-electric	0.32	0.34	0.52	0.32	0.34	0.52
Refrigerant type	R404a	R404a	R404a	R404a	R404a	R404a
Net weight - kg.	119	156	191	128	168	203
Cherry wood finish				●	●	●
Stainless steel finish	●	●	●			
Refrigerated cupboard			●			●

Fit System

Refrigerated Well Units

FBC0010

2008-05-30

Subject to change without notice