

Hot tempered glass units w/gantry

The Electrolux Drop in range is the optimal answer to the needs of the modern distribution. The complete integration with the surrounding ergonomic environment makes this range extremely versatile, be it for traditional (in-line), but above all free flow and free service distribution systems. The variety of functions available - from warm to dry, humid to refrigerated, remote or not, as well as dish lowerators-enables a customized answer to the most specific requirements. Both the product development and the industrial design of these products allow the optimization of the aesthetics of the products exposed. The models detailed on this sheet are 2, 3, 4 GN 1/1 hot tempered glass units with gantry.



340321

EASY TO INSTALL

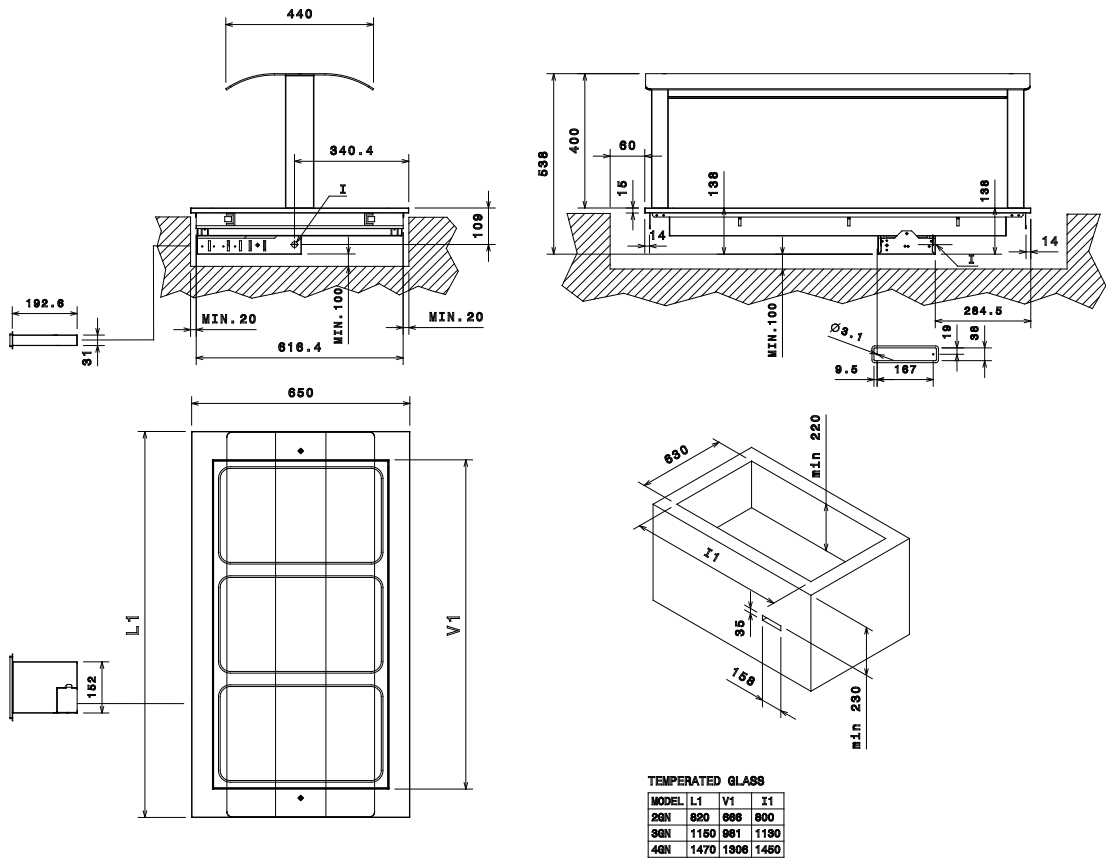
- Easy to install thanks to the fastom connection between the cable and the digital thermostat.
- The cut-out dimensions for the installation of the unit are:
800/1130/1450 x 630 x 220 H mm.

EASY TO USE

- The digital control panel includes:
 - On-Off switch.
 - Digital thermostat.
 - Temperature display.
 - Adjustable temperature settings.
 - Light switch.

- The cable between the unit and the control panel is about 1.5 m long.
- The heating element is composed of etched foils glued under the tempered glass surface.
- Gantry in aluminum with curved tempered glass top 4 mm in thickness and with rectangular uprights 35 x 50 mm in size.
- The lighting is provided by halogen lamps 2 x 200 W /GN 230 V 50 Hz for the 2 and 3 GN 1/1 and 3 x 200 W /GN 230 V 50 Hz for the 4 GN 1/1.

- The surface is smooth and easy to clean.
- Tempered glass surface is 154 mm in thickness.
- The temperature available on the heated top is max.+110°C.
- All models comply with the standards required by the main international approval bodies and are CE marked.
- Developed and produced in ISO 9001 and ISO 14001 certified factory.



Electrolux Drop-in

Hot tempered glass units w/gantry

FDA060

2008-04-04

Subject to change without notice

	DI2HGTO 340320	DI3HGTO 340321	DI4HGTO 340322
LEGEND			
I - Electrical connection	230 V, 1N, 50	230 V, 1N, 50	230 V, 1N, 50
TECHNICAL DATA			
External dimensions - mm			
width	820	1150	1470
depth	650	650	650
height	538	538	538
Top			
height - mm	15	15	15
Top temperature - °C	60/110°C	60/110°C	60/110°C
Power - kW			
installed-electric	0.99	1.29	1.778
Net weight - kg.	28	40	51