

## Rack trolleys - 4 racks

Electrolux manufactures a complete range of AISI 304 stainless steel trolleys for transportation of goods in professional kitchens. The system offers flexibility, capacity and efficiency and has been designed to solve all problems regarding the transportation and storage of table and kitchen ware, GN and EN containers and trays, crates and dishwashing racks.



Model 361244

### EASY TO CLEAN

- Constructed in AISI 304 stainless steel with Scotch Brite finish.
- Framework in Ø 25mm tubing, completely welded.

### EASY TO MAINTAIN

- Durable no-mark tread on the wheels.

### EASY TO USE

- Delivered already assembled.
- Designed for the transportation of dishwashing racks 500x500mm.
- L-shaped runners with an upturn at each end, to hold the racks in place.
- The strong, ergonomic handle is part of the load-bearing frame.
- Models available with worktop.
- 4 pivoting Ø 125 mm wheels, of which 2 with brakes.
- Grey plastic bumpers on all wheels.

### EASY ON THE ENVIRONMENT

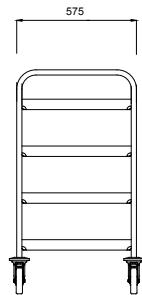
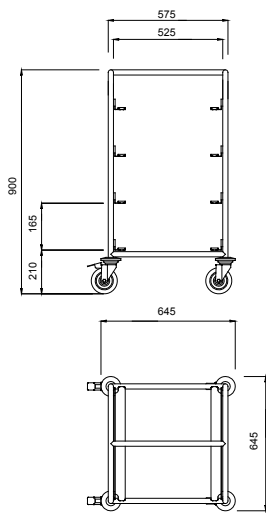
- Developed and produced in ISO 9001 and ISO 14001 certified factory.
- CFC free packaging.



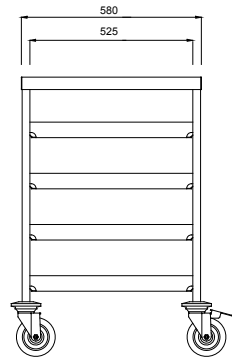
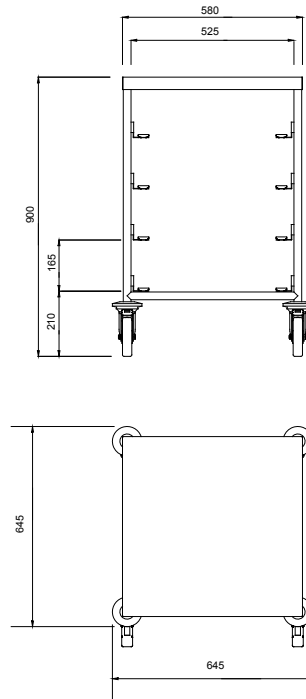
**Electrolux**

361244

361246



PE36X244



PE36X246

Electrolux Trolleys

Rack trolleys - 4 racks

GAD010

2008-04-03

Subject to change without notice

	DRT4 361244	DRT4T 361246
<b>TECHNICAL DATA</b>		
External dimensions - mm		
width	645	645
depth	645	645
height	900	900
work top height	165	165
Net weight - kg.	14	20
<b>ACCESSORIES</b>		
DRIP TRAY FOR DW RACK TROLLEYS	850120	