

Sink trolleys - special models

Electrolux manufactures a complete range of AISI 304 stainless steel trolleys for transportation of goods in professional kitchens. The system offers flexibility, capacity and efficiency and has been designed to solve all problems regarding the transportation and storage of table and kitchen ware, GN and EN containers and trays, crates and dishwashing racks.



Model 361264

EASY TO CLEAN

- Constructed in AISI 304 stainless steel with Scotch Brite finish.
- Framework in Ø 25mm tubing, completely welded.
- bowl with rounded corners.

EASY TO MAINTAIN

- Durable no-mark tread on the wheels.

EASY TO USE

- Delivered already assembled.
- Designed for soaking dirty tableware or an entire dishwasher rack 500x500mm (model 362264 only).
- Equipped with drain valve with elongated twist handle (only model 362264).
- 4 pivoting Ø 125 mm wheels, of which 2 with brakes.

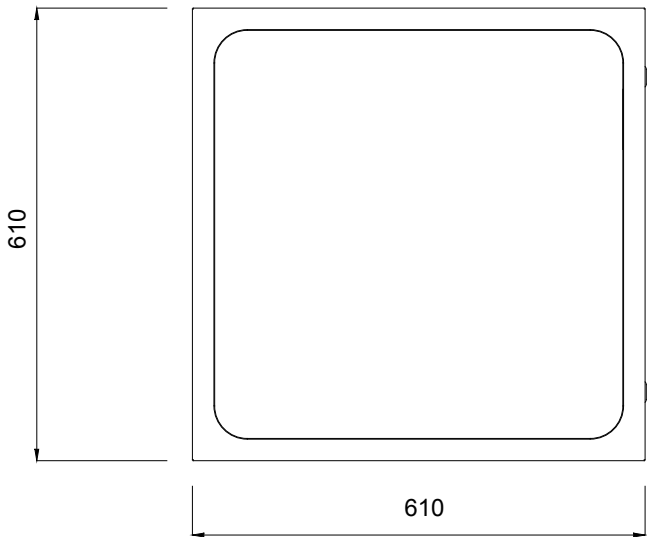
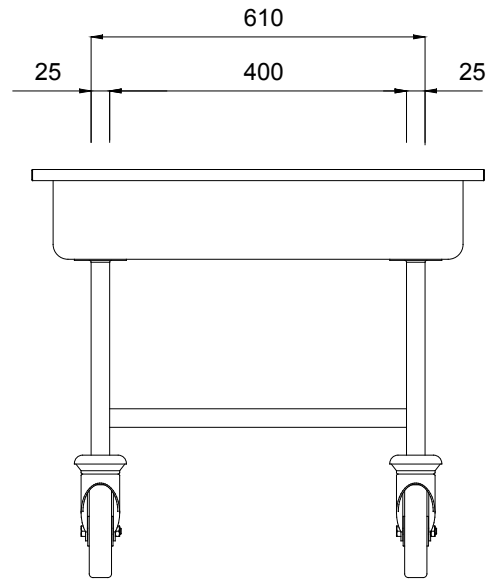
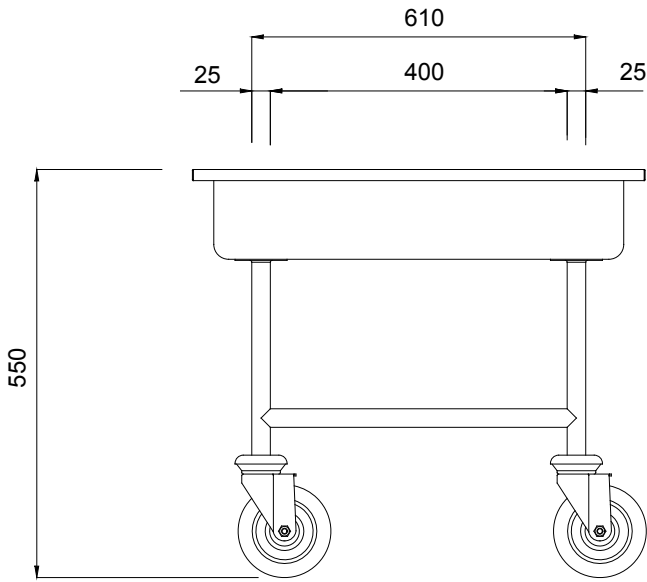
EASY ON THE ENVIRONMENT

- Developed and produced in ISO 9001 and ISO 14001 certified factory.
- CFC free packaging.



Electrolux

361264



PE36X264

Electrolux Trolleys

Sink trolleys - special models

GAD050

2008-04-03

Subject to change without notice

LEGEND	SSTR06 361264
C - Water drain	2"
TECHNICAL DATA	
External dimensions - mm	
width	610
depth	610
height	550
Wheel	
material	Zinco
diameter	Ø 125
Net weight - kg.	20
Sink capacity	35 litre for cutlery/racks