

Hoods for Air-o-steam

304 AISI

The 'Hoods for Air-o-steam' guarantee a rational and versatile solution to extraction problems that may be present for most cooking appliances. These hoods are specially designed for combi steamers. The models detailed on this sheet are 4 hoods for GN 1/1 and GN 2/1 combi steamers and are available with or without built-in fan.



Hood on Air-o-steam oven

EASY TO INSTALL AND MAINTAIN

- Models without fan must be connected to a remote extractor through canalization.

EASY TO CLEAN

- The easy to remove labyrinth filter provides access to the descaling pipe.
- Easy cleanability of 304 AISI mechanical filters in dishwashers thanks to its smooth surfaces.

EASY TO USE

- The system guarantees correct aspiration as well as high energy saving.

- Ensured safety thanks to the never obstructed filtering surface (generally the cause of fires).
- On model with built-in fan, a built-in humidity sensor automatically activates the ventilation upon opening of oven door and automatically reduces the ventilation as the humidity decreases, until a minimal level of humidity is reached.
- Consistent reduction of odours produced during normal cooking.
- Exhaust nominal capacity 1.500 cubic meters per hour.

CONSTRUCTION FEATURES

- Built in 304 AISI stainless steel.
- All models need a direct and independent expulsion of the air to the outside.
- Equipped with exhaust gas outlet chamber.
- Developed and produced in ISO 9001 and ISO 14001 certified factory.



Electrolux

Hoods for Air-o-steam
304 AISI

MCAB010

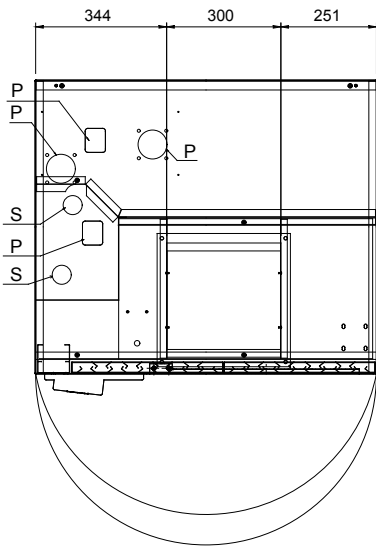
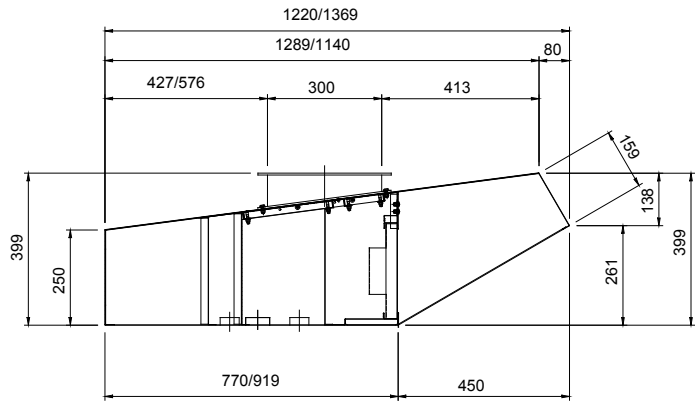
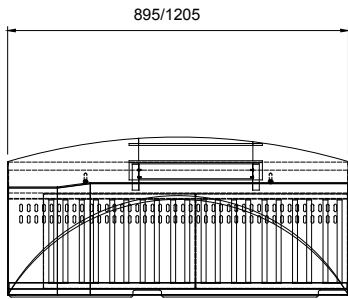
2008-04-04

	KLW610GEM 640791	KLWV610GEM 640792	KLW10GE21M 640793	KLWV10GE2M 640794
TECHNICAL DATA				
External dimensions - mm				
width	895	895	1205	1205
depth	1220	1220	1369	1369
height	400	400	400	400
Air Capacity - mc/h	1500	1500	1500	1500
Built-in fan - power W		550		550
Electrical power - kW		0.42		0.42
Net weight - kg.	40	53	40	53
Supply voltage		220...240 V, 1N, 50/60		220...240 V, 1N, 50/60

Subject to change without notice

Hoods for Air-o-steam
304 AISI

640791, 640793



MCAB010

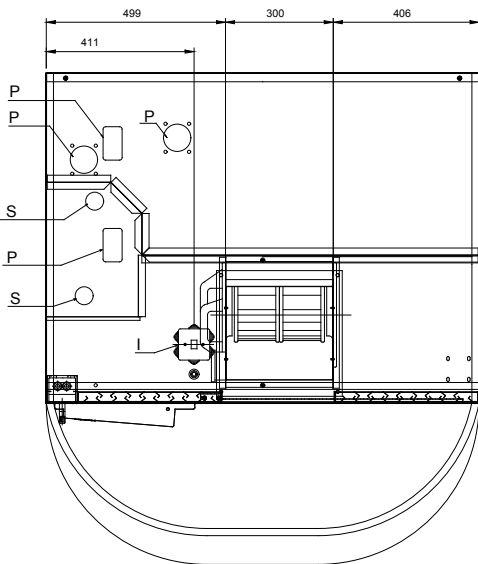
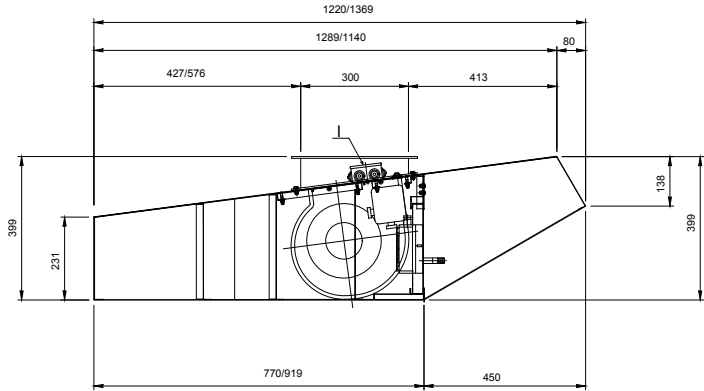
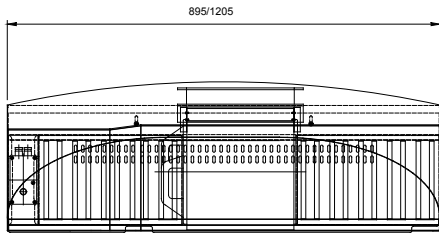
2008-04-04

Subject to change without notice

LEGEND	KLW610GEM 640791	KLW10GE21M 640793

Hoods for Air-o-steam
304 AISI

640792, 640794



MCAB010

2008-04-04

Subject to change without notice

LEGEND	KLWV610GEM 640792	KLWV10GE2M 640794
	I - Electrical connection	220...240 V, 1N, 50/60